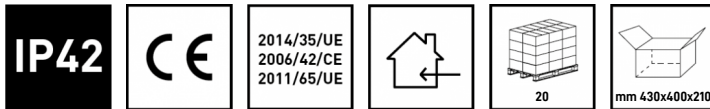


**ZECA**

Z

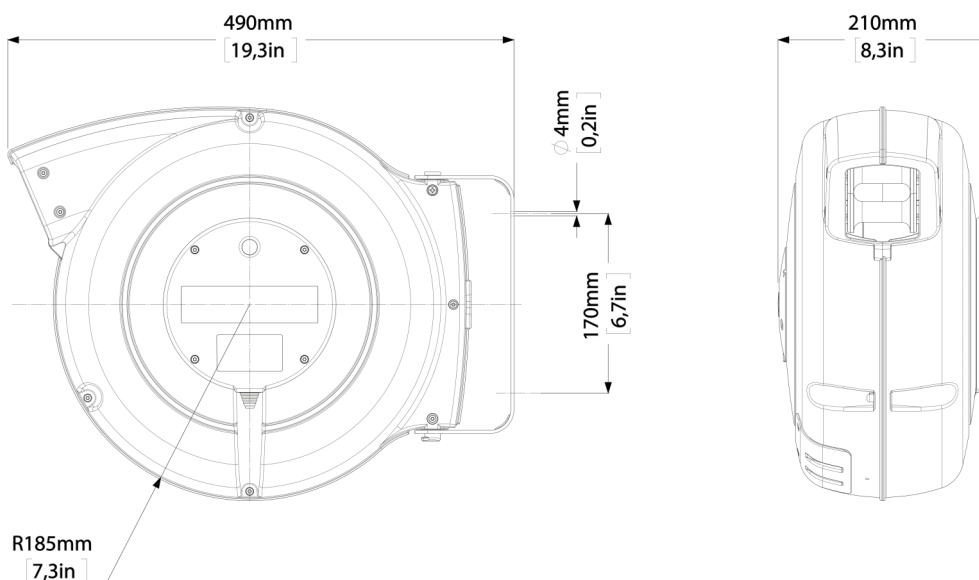
TECHNICAL EXCELLENCE. SINCE 1929.

**INDUSTRIAL CABLE  
REELS  
SERIE 7000****ART. 7215**Length (m)  
**27**Number of conductors  
**2 X**Cross-section (mm<sup>2</sup>)  
**1.5**Wound cable capacity (@20°C)  
**1,1 KW @ 230V**

## TECHNICAL DATA

Article	Cable length (m)	Reel cable length (m)	Cut length (m)	Number of conductors	Cross-section (mm <sup>2</sup> )	Wound cable capacity (@20°C)	Unwound cable capacity (@20°C)	Cable diameter (mm)	Thermal switch	V max	Cable type
7215	27	25	2	2 X	1.5	1,1 KW @ 230V	1,8 KW @ 230V	8	NO	500	PVC

## OVERALL DIMENSIONS



## Technical features

Structural elements of the winder in impact-resistant plastic.

- Roller cable guide mouth.
- Cable stop device with rack that can be inserted every 50cm. All cable reels are supplied with the cable stop device disconnected. Easily insertable.
- Double ground contact.
- Collector insulation voltage 2.5 KV.
- Sliding contacts with collector ring and brushes.
- Degree of protection IP42.
- Ambient operating temperature -5 ° C / + 50 ° C.
- Supplied without piece on the power supply side.
- Models with both PVC and rubber cables are available.

## Optional

### **ART. 949/805-7000**

for winder 7000

Optional device to make the hose reel fixed instead of swiveling.

Indispensable for ceiling application.

## SAFETY RETURN

### ART. 7000/SR

#### Safety return for Series 7000

Safety Return allows the slow rewinding of the cables avoiding dangerous backlashes in case the cable gets out of hand to the operator. Safety Return is an optional braking device for the entire Zeca 7000 series.

Safety Return is an optional braking device for the entire Zeca 7000 series.  
AVOID REWINDING

